

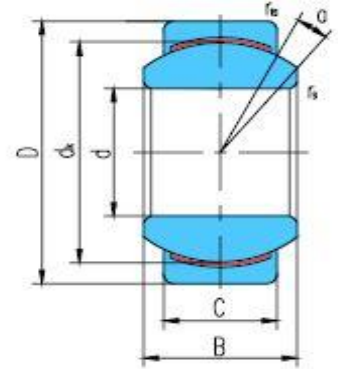
GE-PW SERIES SPHERICAL PLAIN BEARINGS WITH BRASS OUTER AND PTFE LINER



Outer Ring and Ball: Brass, with PTFE Composite Liner

Ball: 100Cr6 Bearing Steel, Hardened

Temperature Range: Open design -50°C to +150°C



Bearing No.	Dimensions								Basic Load Rating		Weight (kg)
	d	D	B	C	dk	rs min	r1s min	$\alpha \approx$	Dynamic C(KN)	Static Co(KN)	
GE5PW	5	13	8	6	11.11	0.3	0.3	13	6	15	0.006
GE6PW	6	16	9	6.75	12.70	0.3	0.3	13	7.7	19	0.01
GE8PW	8	19	12	9	15.88	0.3	0.3	13	13	32	0.018
GE10PW	10	22	14	10.5	19.05	0.3	0.6	13	18	45	0.027
GE12PW	12	26	16	12	22.23	0.3	0.6	13	24	60	0.043
GE14PW	14	28	19	13.5	25.40	0.3	0.6	15	31	77	0.055
GE16PW	16	32	21	15	28.58	0.3	0.6	15	38	96	0.081
GE18PW	18	35	23	16.5	31.75	0.6	0.6	15	47	117	0.103
GE20PW	20	40	25	18	34.93	0.6	0.6	15	56	141	0.149
GE22PW	22	42	28	20	38.10	0.6	0.6	15	68	171	0.176
GE25PW	25	47	31	22	42.86	0.6	0.6	15	84	212	0.242
GE30PW	30	55	37	25	50.80	0.6	0.6	15	113	283	0.378